

UDC2000 / UDC2300 / UDC3000 / UDC3300 Universal Digital Controller 10 Amp Solid State External Relay Kit

Kit Instruction #51-52-33-76C

Kit contents

Kit No. 30756018-003 contains:

- 1 - 10 Amp solid state relay
- 2 - Mounting brackets
- 1 - Rear cover kit
- 4 - Screws and lockwashers

Kit No. 30756018-503 contains the

- same parts in 30756018-003 plus*
- 1 - Open collector output assembly
 - 1 - Terminal block

This kit is used for a field upgrade.

Equipment needed

- Flat-bladed screwdriver

Mounting and wiring

See Figure 1 for mounting bracket positions for mounting on the controller.

See Figure 2 for controller mounting.

See Figure 3 for wall mounting (no brackets required).

See Figure 4 or Figure 5 for wiring.

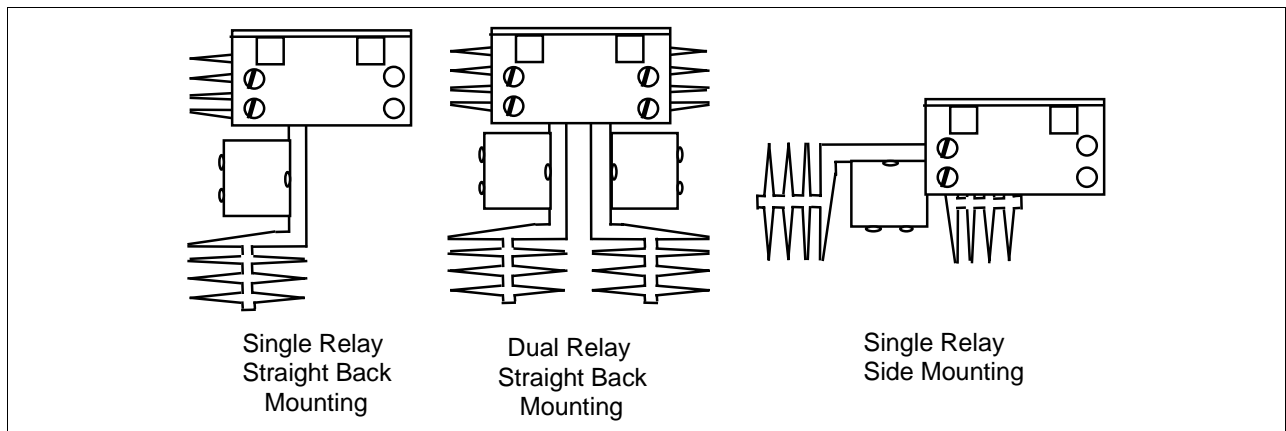
ATTENTION

For Field Upgrades: Make sure the Open Collector Output Board is installed in socket K1 or K101 on the MCU/Output Board.

Attach the mounting brackets

If you are mounting the relay on the controller, use the screws and lockwashers provided in the kit and attach the top and bottom brackets to the solid state relay assembly. The position of the brackets depends on the mounting position required. Figure 1 shows straight back mounting using one or two relays. You can also position the brackets at a 45° angle for side mounting (right or left position). Please note that Figure 1 also includes mounting views for side mounting.

Figure 1 Mounting Bracket Position - Top View



Kit Instruction, Continued

Mounting the relay on the controller

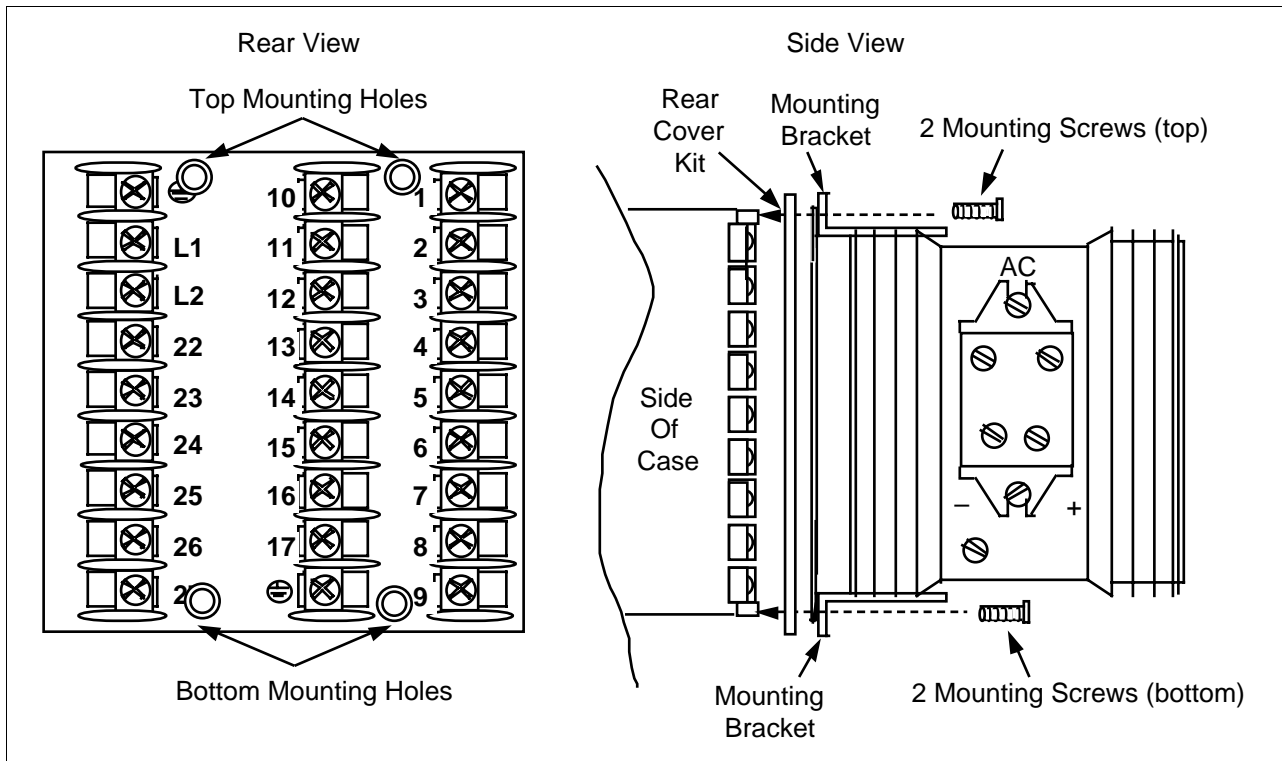
No matter which mounting bracket position you have chosen in Figure 1, the relay is mounted to the controller the same way. There are four mounting holes in the rear of the case (two on top and two on bottom) onto which to mount the rear cover and the relay and bracket assembly.

Wire the controller as shown in Figure 4 or Figure 5 then follow the procedure in Table 1 to mount the relay onto the controller.

Table 1 Mounting Procedure

Step	Action
1	Wire the relay to the controller as shown in Figure 4 or Figure 5.
2	Loosely assemble the rear cover kit to the rear of the controller using the 4 screws provided in the rear cover kit.
3	Position the relay mounting brackets onto the loosely mounted rear cover screws, then tighten the screws. Figure 2 shows the location of the mounting holes and a side view of the controller which shows an example of a single relay assembly being mounted to the rear of the case.

Figure 2 Mounting the Relay on the Controller

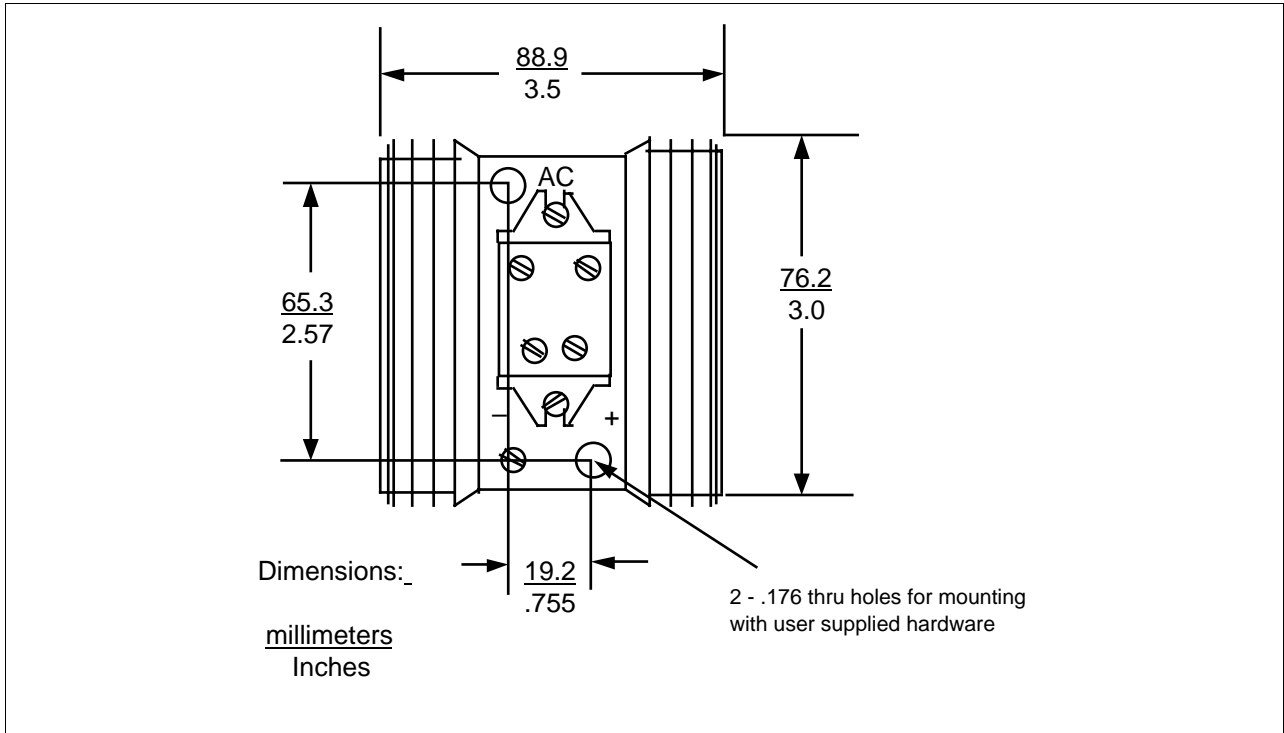


Kit Instruction, Continued

Wall mounting

Mount the relay on a flat surface using the dimensions shown in Figure 3. Wire as shown in Figure 4 or Figure 5.

Figure 3 Wall Mounting

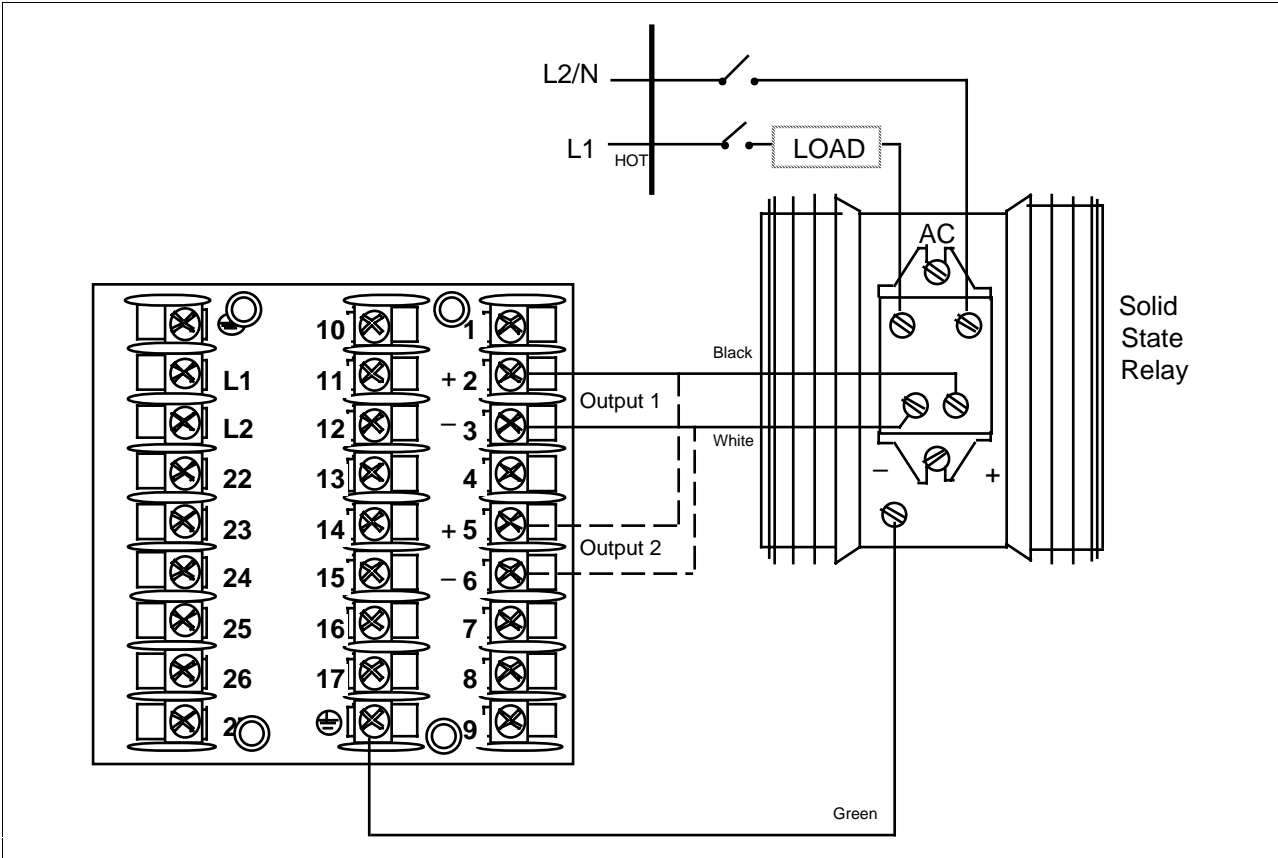


Kit Instruction, Continued

Wiring

Wire the relays to the controller as shown in Figure 4 or Figure 5. The figures also show the terminals to use for a second relay (Output 2).

Figure 4 Wiring – UDC3300 / 3000



Kit Instruction, Continued

Figure 5 Wiring – UDC2000A / 2300

