

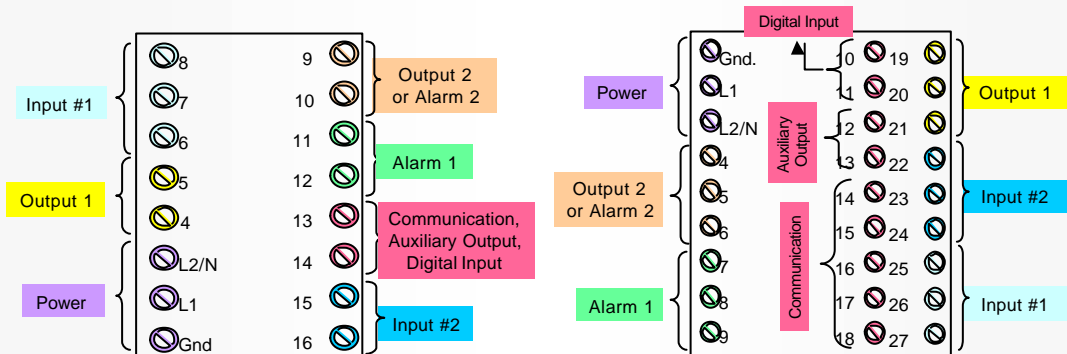
Honeywell – UDC2300 ® UDC2500 Conversion

UDC 2300



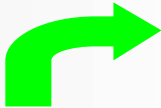
- More terminals, More features:
 - UDC2300 : 16 terminals.
 - UDC2500 : 27 terminals.
- New Case design
 - NEMA 4X Standard
- The 2 instruments are not case compatible.
- Wiring is not identical

UDC 2500



Honeywell – UDC2300 ® UDC2500 Conversion

[C]



UDC 2300



UDC 2500



Ground	Ground
L1	L1
L2/N	L2/N
4	20 21 if Current Output
5	19 if jumper is set for N.C. 21 if jumper is set for N.O. 19 if Current Output
6	25
7	27
8	26
9	6 if jumper is set for N.O. 4 if jumper is set for N.C.
10	5
11	9 if jumper is set for N.O. 7 if jumper is set for N.C.
12	8
13	12 if Aux. Output 10 if Digital Input 17 if Communication
14	13 if Aux. Output 11 if Digital Input 18 if Communication
15	23 for Volts 22 for ma
16	24

