

SITRANS F flowmeters

SITRANS F M

MAGFLO MAG 1100 Food

Overview



The electromagnetic sensor SITRANS F M MAGFLO MAG 1100 Food is designed to meet applications in the food and beverage industry.

Benefits

- Sensor sizes: DN 10 ... DN 100 (3/8" ... 4")
- AISI 316 stainless steel enclosure
- Hygienic connection, 3A and EHEDG authorized construction
- Sanitary design for CIP / SIP cleaning
- Conforms to FDA
- Easy commissioning, the SENSORPROM unit automatically updates settings
- Hose proof IP67/NEMA 4X/6 enclosure rating
- Designed that patented in-situ verification can be conducted. Using SENSORPROM fingerprints

Application

The main applications of the SITRANS F M MAGFLO electromagnetic sensors can be found in the following fields:

- Food industry
- Beverage industry
- Pharmaceutical industry

Design

- Unique mechanical design with a wide range of customer specified sanitary connection
- Compact or remote mounting possible easy "plug & play" field changeable
- Simple on site upgrade to IP68/NEMA 6P
- Ex ATEX version for hazardous areas (MAG 1100 Food Ex only)

Mode of operation

The flow measuring principle is based on Faraday's law of electromagnetic induction where the sensor converts the flow into an electrical voltage proportional to the velocity of the flow.

Integration

The complete flowmeter consists of a sensor and an associated transmitter SITRANS F M MAGFLO MAG 5000, 6000 and 6000 I. The flexible communication concept USM II simplifies integration and update to a variety of fieldbus systems such as PROFIBUS DP & PA, MODBUS RTU/RS485, HART.

Technical specifications

Measuring principle	Electromagnetic induction
Excitation frequency	DN 10 ... 65 (1/4" ... 2 1/2"): 12.5 Hz DN 80 ... 100 (3", 4"): 6.25 Hz
Process connection	
Nominal size	DN 10 ... DN 100 (3/8" ... 4")
Process connection	Hygienic adapters available for: <ul style="list-style-type: none"> • Direct welding onto pipe • Clamp fitting • Threaded fitting
Rated operating conditions	
<u>Ambient conditions</u>	
Ambient temperature ¹⁾	
• Remote transmitter	-40 ... +100 °C (-40 ... +212 °F)
• Compact transmitter MAG 5000/6000	-20 ... +50 °C (-4 ... +122 °F)
• Transmitter MAG 6000 I	-20 ... +60 °C (-4 ... +140 °F)
<u>Temperature shock</u>	
• MAG 1100 Food	<ul style="list-style-type: none"> - Duration ≤ 1 min, followed by 10 min rest • DN 10, 15, 25: Max. ΔT ≤ 80 °C/min (3/8", 1/2", 1": Max. ΔT ≤ 80 K/min) • DN 40, 50, 65: Max. ΔT ≤ 70 °C/min (1 1/2", 2", 2 1/2": Max. ΔT ≤ 70 K/min) • DN 80, 100: Max. ΔT ≤ 60 °C/min (3", 4": Max. ΔT ≤ 60 K/min)
• MAG 1100 Food (PFA)	Max. ±100 °C (210 °F) momentarily
<u>Operating pressure</u>	
• MAG 1100 Food (Ceramic)	DN 10 ... 65: 40 bar (3/8" ... 2 1/2": 580 psi) DN 80: 37.5 bar (3": 540 psi) DN 100: 30 bar (4": 435 psi) Vacuum: 1 x 10 ⁻⁶ bar (1.5 x 10 ⁻⁵ psi)
• MAG 1100 Food (PFA)	20 bar (290 psi) Vacuum: 0.02 bar (0.3 psi)
<u>Mechanical load</u>	
	18 ... 1000 Hz random, 3.17 G rms in all directions to EN 60068-2-36 For compact installation with the MAG 6000 I, transmitter to be supported to avoid tension on sensor part.
<u>Degree of protection (enclosure)</u>	
• Standard	IP67 to EN 60529 (NEMA 4X), 1 mH ₂ O for 30 min
• Option	IP68 to EN 60529 (NEMA 6), 10 mH ₂ O cont.

1) Conditions are also dependent on liner characteristics

Technical specifications (continued)

Medium conditions

Temperature of medium

- MAG 1100 Food (Ceramic)
 - Standard -20 ... +150 °C (-4 ... +300 °F)
Suitable for steam sterilization
 - Ex version
 - T4: -20 ... +100 °C (-4 ... +212 °F)
 - T5: -20 ... +82 °C (-4 ... +180 °F)
 - T6: -20 ... +67 °C (-4 ... +153 °F)
- MAG 1100 Food (PFA) -30 ... +130 °C (-20 ... +270 °F)
Suitable for steam sterilization at 150 °C (300 °F)

EMC 89/336 EEC

Design

- Weight See Dimensional drawings
- Material
- Enclosure
 - MAG 1100 Food Stainless steel AISI 316L (1.4404)
 - Terminal box (remote version only)
 - Standard Fibre glass-reinforced polyamide
 - Option Stainless steel AISI 316 (1.4436)
 - Ex (remote version only) Stainless steel AISI 316 (1.4436)

Liner

- MAG 1100 Food (Ceramic) Aluminium oxide Al₂O₃ (ceramics)
- MAG 1100 Food (PFA) Reinforced PFA (teflon)

Electrodes

- MAG 1100 Food (Ceramic) Platinum with gold / Titanium brazing alloy
- MAG 1100 Food (PFA) Hastelloy C276

Cable entries 4 x M20 / Compact 6000 I version
2 x M25
½" NPT

Certificates and approvals

- MAG 1100 Food (Ceramic)
 - 3A
 - EHEDG
 - ATEX EEx [ia] [ib] IIB T4-T6
 - FM Class 1 div 2
 - MAG 1100 Food (PFA)
 - 3A
 - EHEDG in preparation
 - FM Class 1 div 2
- Conforms to PED – 97/23/EC
FDA

Accessories

Adapter

Pipe connection/operating pressure

Adapter for welding onto dairy pipe Tri-Clover ISP 2037, DIN 11850, SMS 3008, BS 4825-1

- DN 10, 15, 25, 40, 50, 65 and 80 (3/8", ½", 1", 1½", 2", 2½" and 3") PN 40 (600 psi)
- DN 100 (4") PN 25 (350 psi)

Clamp adapter Tri-Clamp ISP 2852, DIN 32676, SMS 3016, BS 4825-3

- DN 10, 15, 25, 40 and 50 (3/8", ½", 1", 1½", and 2") PN 16 (200 psi)
- DN 65, 80 and 100 (2½", 3" and 4") PN 10 (150 psi)

Thread adapter

- DIN 11851
 - DN 10, 15, 25, and 40 (3/8", ½", 1", and 1½") PN 40 (600 psi)
 - DN 50, 65, 80 and 100 (2", 2½", 3" and 4") PN 25 (350 psi)
- ISO 2853, SS 3351, BS 4825-4
 - DN 10, 15, 25, 40, 50, 65 and 80 (3/8", ½", 1", 1½", 2", 2½" and 3") PN 16 (200 psi)
- SMS 1145
 - DN 25, 40, 50, 65 and 80 (1", 1½", 2", 2½" and 3") PN 6 (80 psi)

Design

Material

- Adapter Stainless steel AISI 316/Stainless steel AISI 304 (ISO 2852)
- Gasket
 - Standard EPDM (-20 ... +150 °C (-4 ... +302 °F))
 - Option NBR (-20 ... +100 °C (-4 ... +212 °F))

Note:

When combined sensor and adapter, the operating pressure is the lower rated of the pair.

SITRANS F flowmeters

SITRANS F M

MAGFLO MAG 1100 Food

4

Selection and Ordering data	Order No.
Sensor SITRANS F M MAGFLO MAG 1100 Food	7 ME 6 1 4 0 -
Diameter	
DN 10 (3/8")	▶ 1 R
DN 15 (1/2")	▶ 1 V
DN 25 (1")	▶ 2 D
DN 40 (1 1/2")	▶ 2 R
DN 50 (2")	▶ 2 Y
DN 65 (2 1/2")	▶ 3 F
DN 80 (3")	▶ 3 M
DN 100 (4")	▶ 3 T
Process connections	
No adaptors (specials see accessories)	A
<u>Weld in</u>	
DIN 11850	▶ B
DS/ISO 2037	▶ C
BS 4825-1	▶ D
Tri-Clover®	E
<u>Clamp type</u>	
DIN 32676	G
ISO 2852	H
BS 4825-3	J
Tri-Clamp®	K
<u>Threaded type</u>	
DIN 11851	M
SMS 1145	N
Liner material	
PFA	▶ 1
Ceramic	▶ 2
Gasket material	
EPDM (FDA)	▶ 0
NBR	▶ 1
Electrode material	
Hastelloy C276 (only with PFA liner)	▶ 1
Platinum (only with ceramic liner)	▶ 2
Transmitter	
No transmitter (can be ordered separately)	▶ A
MAG 6000 I, 18 V ... 90 V DC; 115 ... 230 V AC, 50 ... 60 Hz	C
Communication	
No communication, add-on possible	▶ A
HART	B
PROFIBUS PA Profile 3	F
PROFIBUS DP Profile 3	G
MODBUS RTU/RS 485	E
Cable glands/terminal box	
Metric: polyamid terminal box (3A) or 6000 I compact	▶ 1
1/2" NPT: polyamid terminal box (3A) or 6000 I compact	▶ 2
Metric: SS terminal box	▶ 3
1/2" NPT: SS terminal box	▶ 4

▶ Available ex stock.

Please use online Product selector to get latest updates.
Product selector link: www.pia-selector.com/its_main_en.asp

Please also see www.siemens.com/SITRANSFordering for practical examples of ordering

Selection and Ordering data	Order No.
Sensor SITRANS F M MAGFLO MAG 1100 Food Ex, ATEX	7 ME 6 1 5 0 -
Ceramic liner, Platinum electrode	2 - 2
Diameter	
DN 10 (3/8")	1 R
DN 15 (1/2")	1 V
DN 25 (1")	2 D
DN 40 (1 1/2")	2 R
DN 50 (2")	2 Y
DN 65 (2 1/2")	3 F
DN 80 (3")	3 M
DN 100 (4")	3 T
Process connections	
No adaptors (specials see accessories)	A
<u>Weld in</u>	
DIN 11850	B
DS/ISO 2037	C
BS 4825-1	D
Tri-Clover®	E
<u>Clamp type</u>	
DIN 32676	G
ISO 2852	H
BS 4825-3T	J
Tri-Clamp®	K
<u>Threaded type</u>	
DIN 11851	M
SMS 1145	N
Gasket material	
EPDM (FDA)	0
NBR	1
Transmitter	
No transmitter (can be ordered separately)	A
MAG 6000 I Ex-d ATEX, 18 V ... 30 V DC	D
MAG 6000 I Ex-d ATEX, 115 V ... 230 V DC	E
Communication	
No communication, add-on possible	A
HART	B
PROFIBUS PA Profile 3	F
Cable glands/terminal box	
Metric: 6000 I, ATEX	1
1/2" NPT: 6000 I, ATEX	2
Metric: SS terminal box	3
1/2" NPT: SS terminal box	4

▶ Available ex stock.

Selection and Ordering data	Order code
Additional information	
Please add "-Z" to Order No. and specify Order code(s) and plain text.	
Customer specific converter setup	Y20
Tag name plate, stainless steel fixed with SS wire (add plain text)	Y17
Tag name plate, plastic (self adhesive)	Y18
Factory certificate according to EN 10204-2.1	C15
Factory certificate according to EN 10204-2.2	C14
Sensor cables wired (specify cable order no.)	Y40
Junction box potted to IP68 with wired cable (specify cable order no.)	Y41
Other postproduction requirements (add desired text)	Y99

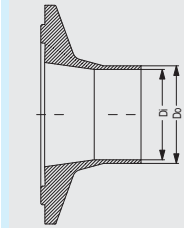
Accessories Order No.

Weld in connection fittings for MAG 1100 Food

Each of the following accessory order nos. comprises:
 2 pcs. fittings
 2 pcs. clamps (to join flow sensor and fitting)
 2 pcs. EPDM gaskets

DIN 11850

Adapter			Sensor
DN (mm)	D _o (mm)	D _i (mm)	DN (mm)



10	13	10	10	▶	FDK-083G2116
15	19	16	15	▶	FDK-083G2117
20	23	20	15	▶	FDK-083G2118
25	29	26	25	▶	FDK-083G2119
32	35	32	25	▶	FDK-083G2120
40	41	38	40	▶	FDK-083G2121
50	53	50	50	▶	FDK-083G2122
65	70	66	65	▶	FDK-083G2123
80	85	81	80	▶	FDK-083G2124
100	104	100	100	▶	FDK-083G2125

DS/ISO 2037

Adapter			Sensor
DN (mm)	D _o (mm)	D _i (mm)	DN (mm)

10	13	10	10	▶	FDK-083G2116
15	19	16	15	▶	FDK-083G2117
20	23	20	15	▶	FDK-083G2118
25	25.6	22.6	25	▶	FDK-083G2109
28	28.6	25.6	25	▶	FDK-083G2100
33.7	34.3	31.3	25	▶	FDK-083G2110
38	38.6	35.6	40	▶	FDK-083G2111
40	40.6	37.6	40	▶	FDK-083G2101
51	51.6	48.6	50	▶	FDK-083G2112
63.5	64.1	60.3	65	▶	FDK-083G2113
70	70.6	66.8	65	▶	FDK-083G2103
76.1	76.7	72.9	80	▶	FDK-083G2114
88.9	88.9	84.9	80	▶	FDK-083G2104
101.6	102.5	97.6	100	▶	FDK-083G2115
114.3	115.6	110.3	100	▶	FDK-083G2105

SMS 3008

Adapter			Sensor
DN (mm)	D _o (mm)	D _i (mm)	DN (mm)

10	13	10	10	▶	FDK-083G2116
15	19	16	15	▶	FDK-083G2117
20	23	20	15	▶	FDK-083G2118
25	25.6	22.6	25	▶	FDK-083G2109
32	32	29.6	25	▶	FDK-083G2102
33.7	34.3	31.3	25	▶	FDK-083G2110
38	38.6	35.6	40	▶	FDK-083G2111
51	51.6	48.6	50	▶	FDK-083G2112
63.5	64.1	60.3	65	▶	FDK-083G2113
76	76	72	65	▶	FDK-083G2106
76.1	76.7	72.9	80	▶	FDK-083G2114
88.9	88.9	84.9	80	▶	FDK-083G2104
101.6	102.5	97.6	100	▶	FDK-083G2115
114.3	115.6	110.3	100	▶	FDK-083G2105

Accessories Order No.

Weld in connection fittings for MAG 1100 Food

Each of the following accessory order nos. comprises:
 2 pcs. fittings
 2 pcs. clamps (to join flow sensor and fitting)
 2 pcs. EPDM gaskets

BS 4825-1

Adapter			Sensor
DN (mm)	D _o (mm)	D _i (mm)	DN (mm)

10	13	10	10	▶	FDK-083G2116
15	19	16	15	▶	FDK-083G2117
20	23	20	15	▶	FDK-083G2118
25	25.6	22.6	25	▶	FDK-083G2109
38	38.6	35.6	40	▶	FDK-083G2111
51	51.6	48.6	50	▶	FDK-083G2112
63.5	64.1	60.3	65	▶	FDK-083G2113
76.1	76.7	72.9	80	▶	FDK-083G2114
101.6	102.5	97.6	100	▶	FDK-083G2115
114.3	115.6	110.3	100	▶	FDK-083G2105

Tri-Clover®

Adapter			Sensor
DN (mm)	D _o (mm)	D _i (mm)	DN (mm)

10	12.7	9.4	10	▶	FDK-083G2276
15.9	19.05	15.75	15	▶	FDK-083G2277
25	25.4	22.1	25	▶	FDK-083G2279
38	38.1	34.8	40	▶	FDK-083G2281
51	50.8	47.5	50	▶	FDK-083G2282
63.5	63.5	60.2	65	▶	FDK-083G2283
76.1	76.2	72.9	80	▶	FDK-083G2284
102	101.6	97.38	100	▶	FDK-083G2285

Tri-Clover® is a registered trademark of Ladish Co.

▶ Available ex stock.

D_o: outer diameter
 D_i: inner diameter

SITRANS F flowmeters

SITRANS F M

MAGFLO MAG 1100 Food

Accessories

Order No.

Clamp-type connection fittings for MAG 1100 Food

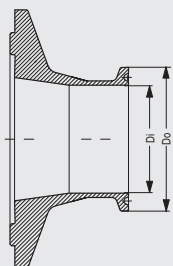
Sanitary pipe fittings for Clamp types

Each of the following accessory order nos. comprises:

- 2 pcs. fittings
- 2 pcs. clamps (to join flow sensor and fitting)
- 2 pcs. EPDM gaskets

DIN 32676

Adapter			Sensor
DN (mm)	D _o (mm)	D _i (mm)	DN (mm)



10	34	10	10
15	34	16	15
20	34	20	15
25	50.5	26	25
33.7	50.5	31.3	25
40	50.5	38	40
50	64	50	50
65	91	66	65
80	106	81	80
100	119	100	100

FDK-083G2186
FDK-083G2187
FDK-083G2188
FDK-083G2179
FDK-083G2190
FDK-083G2181
FDK-083G2182
FDK-083G2183
FDK-083G2184
FDK-083G2185

ISO 2852

Adapter			Sensor
DN (mm)	D _o (mm)	D _i (mm)	DN (mm)

10	34	10	10
15	34	16	15
20	34	20	15
25	50.5	22.6	25
25	50.5	26	25
33.7	50.5	31.3	25
38	50.5	35.6	40
40	50.5	38	40
51	64	48.6	50
63.5	77.5	60.3	65
76.1	91	72.9	80
101.6	119	97.6	100

FDK-083G2186
FDK-083G2187
FDK-083G2188
FDK-083G2189
FDK-083G2179
FDK-083G2190
FDK-083G2191
FDK-083G2181
FDK-083G2192
FDK-083G2193
FDK-083G2194
FDK-083G2195

SMS 3016

Adapter			Sensor
DN (mm)	D _o (mm)	D _i (mm)	DN (mm)

10	34	10	10
15	34	16	15
25	50.5	22.6	25
33.7	50.5	31.3	25
38	50.5	35.6	40
51	64	48.6	50
63.5	77.5	60.3	65
76.1	91	72.9	80
101.6	119	97.6	100

FDK-083G2186
FDK-083G2187
FDK-083G2189
FDK-083G2190
FDK-083G2191
FDK-083G2192
FDK-083G2193
FDK-083G2194
FDK-083G2195

Accessories

Order No.

Clamp-type connection fittings for MAG 1100 Food

Sanitary pipe fittings for Clamp types

Each of the following accessory order nos. comprises:

- 2 pcs. fittings
- 2 pcs. clamps (to join flow sensor and fitting)
- 2 pcs. EPDM gaskets

BS 4825-3

Adapter			Sensor
DN (mm)	D _o (mm)	D _i (mm)	DN (mm)

25	50.5	22.6	25
38	50.5	35.6	40
51	64	48.6	50
63.5	77.5	60.3	65
76.1	91	72.9	80
101.6	119	97.6	100

FDK-083G2189
FDK-083G2191
FDK-083G2192
FDK-083G2193
FDK-083G2194
FDK-083G2195

Tri-Clamp®

Adapter			Sensor
DN (mm)	D _o (mm)	D _i (mm)	DN (mm)

10	34	10	10
15	34	16	15
25	50.5	22.6	25
38	50.5	35.6	40
51	64	48.6	50
63.5	77.5	60.3	65
76.1	91	72.9	80
101.6	119	97.6	100

FDK-083G2286
FDK-083G2287
FDK-083G2289
FDK-083G2291
FDK-083G2292
FDK-083G2293
FDK-083G2294
FDK-083G2295

Tri-Clamp® is a registered trademark of Ladish Co.

D_o: outer diameter
D_i: inner diameter

Accessories Order No.

Threaded type connection fittings for MAG 1100 Food

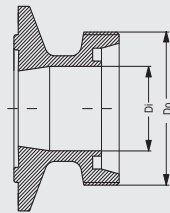
Sanitary pipe fittings for Threaded types

Each of the following accessory order nos. comprises:

- 2 pcs. fittings
- 2 pcs. clamps (to join flow sensor and fitting)
- 2 pcs. EPDM gaskets

DIN 11851

Adapter		Sensor	
DN (mm)	D _o (mm)	D _i (mm)	DN (mm)

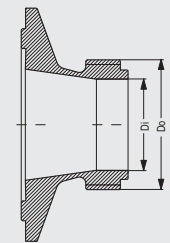


10	28	10	10
15	34	16	15
20	44	20	15
25	52	26	25
32	58	32	25
40	65	38	40
50	78	50	50
65	95	66	65
80	110	81	80
100	130	100	100

- FDK-083G2156
- FDK-083G2157
- FDK-083G2158
- FDK-083G2159
- FDK-083G2160
- FDK-083G2161
- FDK-083G2162
- FDK-083G2163
- FDK-083G2164
- FDK-083G2165

ISO 2853

Adapter		Sensor	
DN (mm)	D _o (mm)	D _i (mm)	DN (mm)



25	37	22.6	25
38	51	35.6	40
51	64	48.6	50
63.5	78	60.3	65
76.1	91	72.9	80
101.6	118	97.6	100

- FDK-083G2149
- FDK-083G2151
- FDK-083G2152
- FDK-083G2153
- FDK-083G2154
- FDK-083G2155

SS 3351

Adapter		Sensor	
DN (mm)	D _o (mm)	D _i (mm)	DN (mm)

25	37	22.6	25
38	51	35.6	40
51	64	48.6	50
63.5	78	60.3	65
76.1	91	72.9	80
101.6	118	97.6	100

- FDK-083G2149
- FDK-083G2151
- FDK-083G2152
- FDK-083G2153
- FDK-083G2154
- FDK-083G2155

BS 4825-4

Adapter		Sensor	
DN (mm)	D _o (mm)	D _i (mm)	DN (mm)

25	37	22.6	25
38	51	35.6	40
51	64	48.6	50
63.5	78	60.3	65
76.1	91	72.9	80
101.6	126	97.6	100

- FDK-083G2149
- FDK-083G2151
- FDK-083G2152
- FDK-083G2153
- FDK-083G2154
- FDK-083G2145

Accessories Order No.

Threaded type connection fittings for MAG 1100 Food

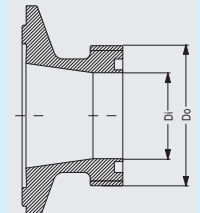
Sanitary pipe fittings for Threaded types

Each of the following accessory order nos. comprises:

- 2 pcs. fittings
- 2 pcs. clamps (to join flow sensor and fitting)
- 2 pcs. EPDM gaskets

SMS 1145

Adapter		Sensor	
DN (mm)	D _o (mm)	D _i (mm)	DN (mm)



25	40	22.6	25
32	48	29.6	25
38	60	35.6	40
51	70	48.6	50
63.5	85	60.3	65
76	98	72	65

- FDK-083G2139
- FDK-083G2140
- FDK-083G2141
- FDK-083G2142
- FDK-083G2143
- FDK-083G2144

D_o: outer diameter
D_i: inner diameter

Spare parts for MAG 1100 Food Order No.

Gaskets

(2 pcs., between flow sensor and adapter)

Rubber: EPDM (FDA)

- DN 10 ▶ FDK-083G2206
- DN 15 ▶ FDK-083G2207
- DN 25 ▶ FDK-083G2209
- DN 40 ▶ FDK-083G2211
- DN 50 ▶ FDK-083G2212
- DN 65 ▶ FDK-083G2213
- DN 80 ▶ FDK-083G2214
- DN 100 ▶ FDK-083G2215

Rubber: NBR

- DN 10 ▶ FDK-083G2216
- DN 15 ▶ FDK-083G2217
- DN 25 ▶ FDK-083G2219
- DN 40 ▶ FDK-083G2221
- DN 50 ▶ FDK-083G2222
- DN 65 ▶ FDK-083G2223
- DN 80 ▶ FDK-083G2224
- DN 100 ▶ FDK-083G2225

▶ Available ex stock.

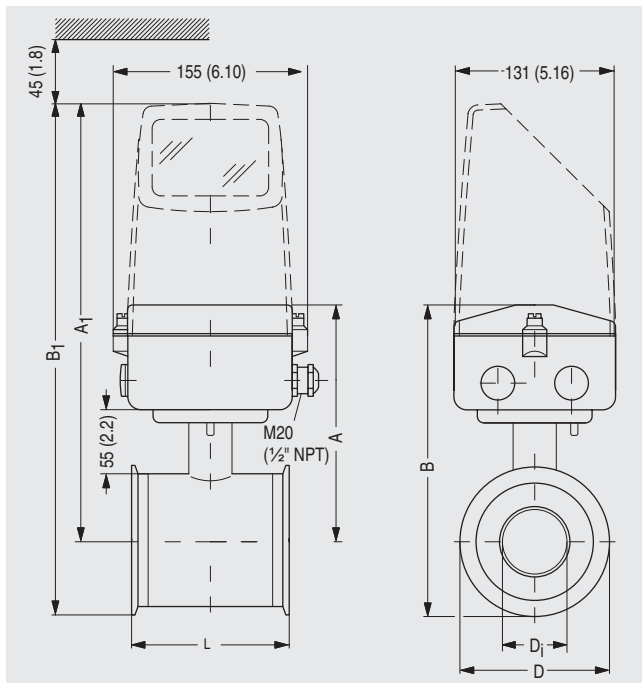
SITRANS F flowmeters

SITRANS F M

MAGFLO MAG 1100 Food

Dimensional drawings

Sensor MAG 1100 Food compact/remote

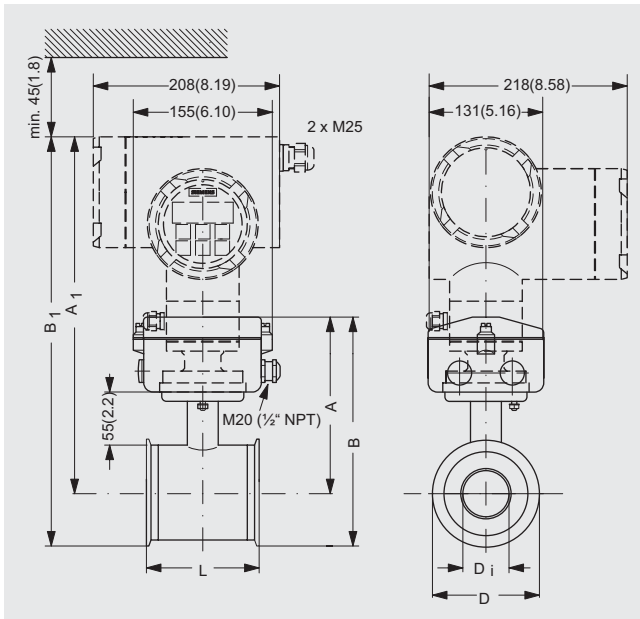


Size	L	A	A ₁	B	B ₁	D	D _i (Al ₂ O ₃)	D _i PFA	Weight ^{*)}
DN	[mm]	[mm]	[mm]	[mm]	[mm]	[mm]	[mm]	[mm]	[kg]
10	64	161	305	193.0	346.0	64.0	10	10	2.2
15	64	161	314	193.0	346.0	64.0	15	16	2.2
25	79	169	322	207.8	360.8	77.5	25	26	2.7
40	94	181	334	226.5	379.5	91.0	40	38	3.4
50	104	189	342	248.5	401.5	119.0	50	50	4.2
65	131	199	352	264.0	417.0	130.0	65	66	5.5
80	156	205	358	282.5	435.5	155.0	80	81	7.0
100	186	218	371	309.5	462.5	183.0	100	100	10.0

Size	L	A	A ₁	B	B ₁	D	D _i (Al ₂ O ₃)	D _i PFA	Weight ^{*)}
[inch]	[inch]	[inch]	[inch]	[inch]	[inch]	[inch]	[inch]	[inch]	[lb]
3/8	2.52	6.34	11.96	7.60	13.63	2.52	0.39	0.39	4.8
1/2	2.52	6.34	11.96	7.60	13.63	2.52	0.59	0.63	4.8
1	3.11	6.66	12.29	8.18	14.21	3.05	0.98	1.02	4.9
1 1/2	3.70	7.13	12.83	8.92	14.94	3.58	1.57	1.50	7.5
2	4.09	7.44	12.97	9.79	15.81	4.68	1.97	1.97	9.2
2 1/2	5.16	7.84	13.48	10.40	16.42	5.12	2.56	2.60	12.0
3	6.14	8.07	13.50	11.13	17.15	6.10	3.15	3.19	15.0
4	7.32	8.59	13.97	12.19	18.21	7.20	3.94	3.94	22.0

*) With transmitter MAG 5000 or MAG 6000 compact, weight is increased by approximately 0.8 kg (1.8 lb)

MAG 1100 Food / MAG 6000 I Compact



Important note:
For compact installation with the MAG 6000 I, transmitter to be supported to avoid tension on sensor part.

Size	L	A	A ₁	B	B ₁	D	D _i (Al ₂ O ₃)	D _i PFA	Weight*)
DN	[mm]	[mm]	[mm]	[mm]	[mm]	[mm]	[mm]	[mm]	[kg]
10	64	161	303.7	193.0	335.7	64.0	10	10	2.2
15	64	161	303.7	193.0	335.7	64.0	15	16	2.2
25	79	169	312.2	207.8	350.9	77.5	25	26	2.7
40	94	181	325.9	226.5	371.4	91.0	40	38	3.4
50	104	189	329.5	248.5	389.0	119.0	50	50	4.2
65	131	199	342.4	264.0	407.4	130.0	65	66	5.5
80	156	205	342.9	282.5	420.4	155.0	80	81	7.0
100	186	218	354.9	309.5	446.4	183.0	100	100	10.0

Size	L	A	A ₁	B	B ₁	D	D _i (Al ₂ O ₃)	D _i PFA	Weight*)
[inch]	[inch]	[inch]	[inch]	[inch]	[inch]	[inch]	[inch]	[inch]	[lb]
3/8	2.52	6.34	11.96	7.60	13.22	2.52	0.39	0.39	4.8
1/2	2.52	6.34	11.96	7.60	13.22	2.52	0.59	0.63	4.8
1	3.11	6.66	12.29	8.18	13.81	3.05	0.98	1.02	4.9
1 1/2	3.70	7.13	12.83	8.92	14.62	3.58	1.57	1.50	7.5
2	4.09	7.44	12.97	9.79	15.31	4.68	1.97	1.97	9.2
2 1/2	5.16	7.84	13.48	10.40	16.04	5.12	2.56	2.60	12.0
3	6.14	8.07	13.50	11.13	16.55	6.10	3.15	3.19	15.0
4	7.32	8.59	13.97	12.19	17.57	7.20	3.94	3.94	22.0

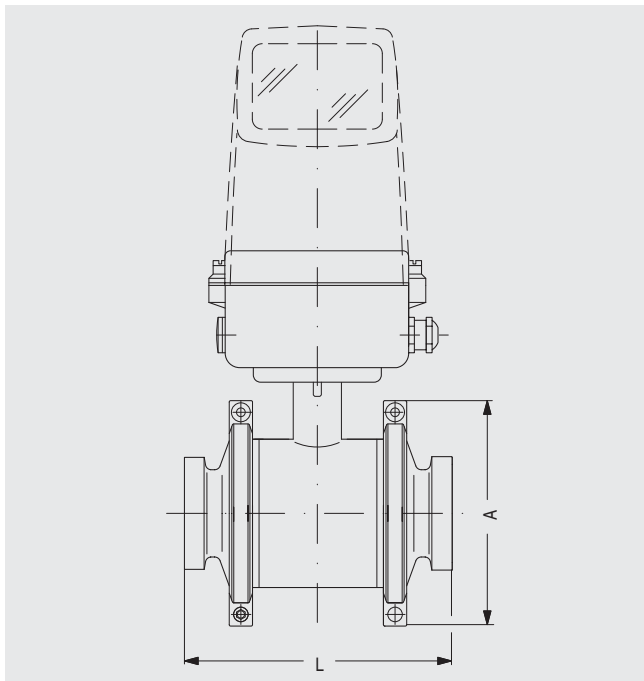
*) With transmitter MAG 6000 I compact, weight is increased by approximately 5.5 kg (12.1 lb).

SITRANS F flowmeters

SITRANS F M

MAGFLO MAG 1100 Food

Sensor MAG 1100 Food compact/separate – build-in length



4

Size		A		L ¹⁾	
DN	Inch	[mm]	[inch]	[mm]	[inch]
10	3/8	99	3.90	146	5.75
15	1/2	99	3.90	146	5.75
25	1	113	4.45	161	6.34
40	1 1/2	126	4.96	176	6.93
50	2	154	6.06	186	7.32
65	2 1/2	165	6.50	223	8.78
80	3	200	7.87	258	10.16
100	4	225	8.86	288	11.34

¹⁾ The total build-in length "L" is independent of the adapter type selected.